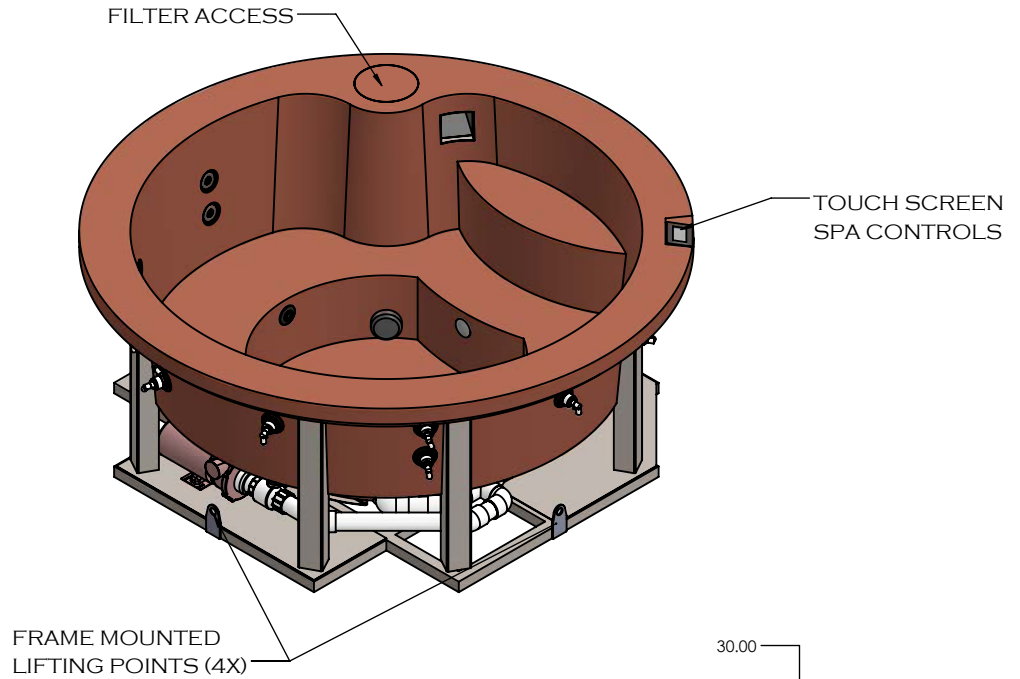




# CRESTONE PORTABLE SPA

## COPPER SPECIFICATIONS



### FEATURES:

- COPPER SPA SHELL WITH 304L STAINLESS STEEL FRAME
- 5-6 BATHER CAPACITY
- LED LIGHTING
- 14 HYDROTHERAPY JETS
- FULLY INSULATED WITH 2-PART POLYURETHANE FOAM (NOT SHOWN)
- RIGID FOAM COVER WITH R-15 INSULATION AND ASTM CERTIFICATION
- UV LIGHT & HYDROGEN PEROXIDE SANITIZATION
- OVERALL DIMENSIONS: 96" x 96" x 39"
- WATER CAPACITY: 419 GALLONS
- EMPTY WEIGHT: 1,013 LBS
- FULL WEIGHT: 4,509 LBS

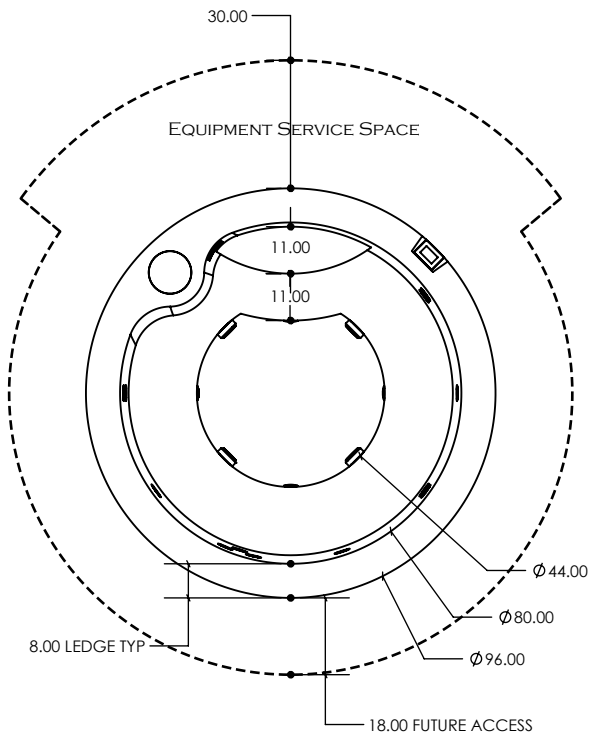
### CERTIFICATIONS:

STAINLESS STEEL & COPPER SHELLS:

- IAPMOEGS LISTING FOR UL 1795 AND CSA C22.2 STANDARDS

### POWER REQUIREMENTS:

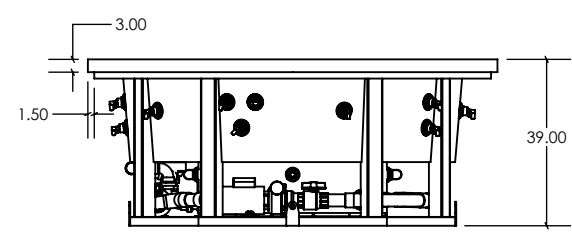
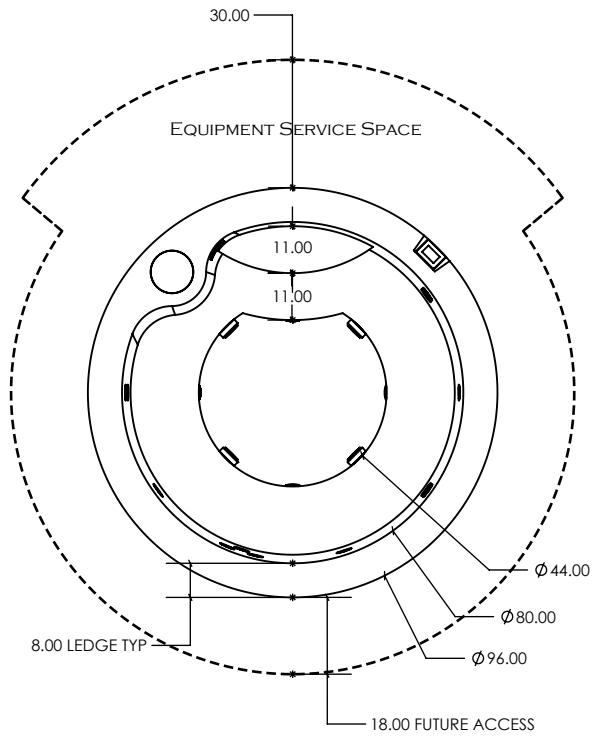
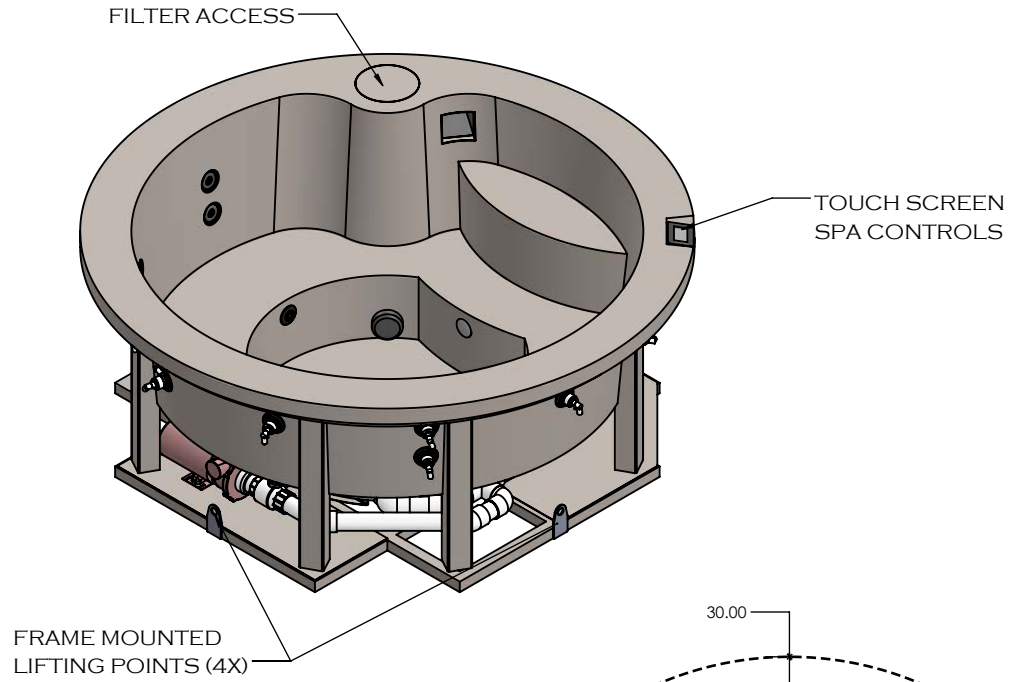
- (1X) 230V 50A GFCI SERVICE AT EQUIPMENT FOR SPA CONTROL AND 5.5KW ELECTRIC HEATER
- SPA SHELL AND ALL EQUIPMENT TO BE BONDED W/ MIN. #6AWG BARE COPPER CONDUCTOR





# CRESTONE PORTABLE SPA

## STAINLESS STEEL SPECIFICATIONS



**FEATURES:**

- 316L STAINLESS STEEL SPA SHELL WITH 304L STAINLESS STEEL FRAME
- 5-6 BATHER CAPACITY
- LED LIGHTING
- 14 HYDROTHERAPY JETS
- FULLY INSULATED WITH 2-PART POLYURETHANE FOAM (NOT SHOWN)
- RIGID FOAM COVER WITH R-15 INSULATION AND ASTM CERTIFICATION
- UV LIGHT & HYDROGEN PEROXIDE SANITIZATION
- OVERALL DIMENSIONS: 96" x 96" x 39"
- WATER CAPACITY: 419 GALLONS
- EMPTY WEIGHT: 960 LBS
- FULL WEIGHT: 4,456 LBS

**CERTIFICATIONS:**

STAINLESS STEEL & COPPER SHELLS:

- IAPMOEGS LISTING FOR UL 1795 AND CSA C22.2 STANDARDS

**POWER REQUIREMENTS:**

- (1X) 230V 50A GFCI SERVICE AT EQUIPMENT FOR SPA CONTROL AND 5.5KW ELECTRIC HEATER
- SPA SHELL AND ALL EQUIPMENT TO BE BONDED W/ MIN. #6AWG BARE COPPER CONDUCTOR